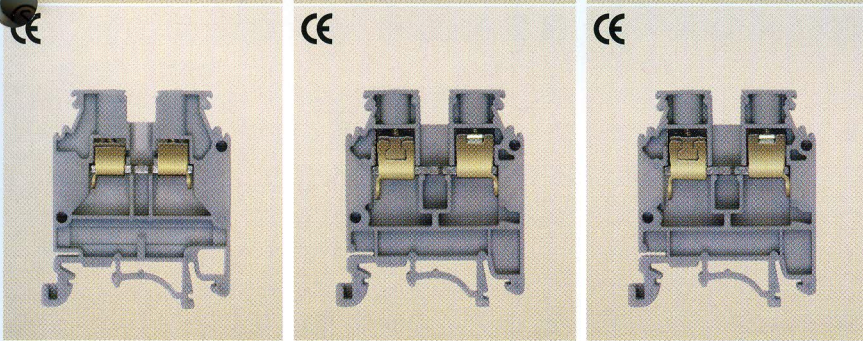
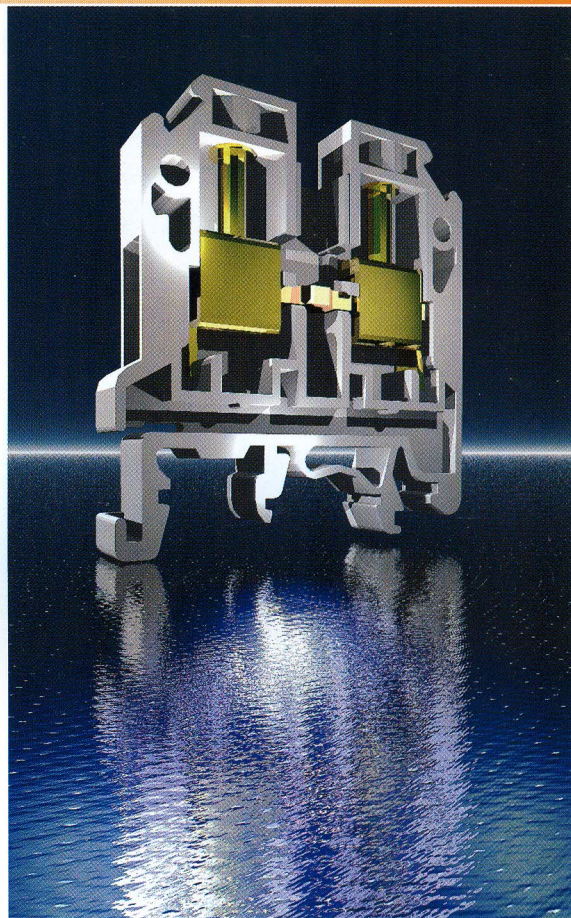


FEED THROUGH TERMINALS (KUT-N Series)

KUT 4N	KUT 6N	KUT 10N
6 mm (0.24 Inch)	8 mm (0.31 Inch)	10 mm (0.40 Inch)
51 x 41.5 (2.00 x 1.63)	51 x 41.5 (2.00 x 1.63)	51 x 41.5 (2.00 x 1.63)
4 sq mm	6 sq mm	10 sq mm
0.5 sq mm - 4 sq mm	0.5 sq mm - 6 sq mm	1.5 sq mm - 10 sq mm
0.5 sq mm - 4 sq mm	0.5 sq mm - 10 sq mm	1.5 sq mm - 16 sq mm
12mm	12mm	10 mm
2 screw clamp & 1 tapped hole for cross connection	2 screw clamp & 1 tapped hole for cross connection	2 screw clamp & 1 tapped hole for cross connection
1000 V/32 A/4 sq mm/0.5 Nm	1000 V/41 A/6 sq mm/0.8 Nm	1000 V/63 A/10 sq mm/1.2 Nm
M3	M3.5	M4



CAT #	STD. PKG.	WT/STD.PKG-KG	CAT #	STD. PKG.	WT/STD.PKG-KG	CAT #	STD. PKG.	WT/STD.PKG-KG
KUT 4N	100	1.15	KUT 6N	50	0.80	KUT 10N	50	0.80
KPXN	100	0.31	KPXN	100	0.31	KPXN	100	0.31
--	--	--	--	--	--	--	--	--
KNBF 2.5/10	100	0.60	KNBF 2.5/10	100	0.60	KNBF 2.5/10	100	0.60
UHDD	100	0.80	UHDD	100	0.80	UHDD	100	0.80
PCK 3	100	7.00	PCK 3	100	7.00	PCK 3	100	7.00
SCKN	100	0.80	SCKN	100	0.80	SCKN	100	0.80
SCUN	100	0.94	SCUN	100	0.94	SCUN	100	0.94
SCUSL	50	0.63	SCUSL	50	0.63	SCUSL	50	0.63
SCUDD	50	0.64	SCUDD	50	0.64	SCUDD	50	0.64
CCLA4N - 2W	100	0.32	CCLA6N - 2W	100	0.58	CCLA10N - 2W	100	0.76
CCLA4N - 3W	100	0.46	CCLA6N - 3W	100	0.86	CCLA10N - 3W	100	1.16
CCLA4N - 4W	50	0.31	CCLA6N - 4W	50	0.58	CCLA10N - 4W	50	0.78
CCLA4N - 5W	50	0.38	CCLA6N - 5W	50	0.71	CCLA10N - 5W	50	0.98
CCLA4N - 10W	25	0.38	CCLA6N - 10W	25	0.71	CCLA10N - 10W	25	0.98
--	--	--	--	--	--	--	--	--
--	--	--	--	--	--	--	--	--
--	--	--	--	--	--	--	--	--
--	--	--	--	--	--	--	--	--
--	--	--	--	--	--	--	--	--
--	--	--	--	--	--	--	--	--
SCLC4N - 2W	100	0.20	SCLC6-2W	100	0.27	--	--	--
SCLC4N - 3W	100	0.30	SCLC6-3W	100	0.43	--	--	--
SCLC4N - 4W	100	0.40	SCLC6-4W	100	0.59	--	--	--
SCLC4N - 5W	50	0.25	SCLC6-5W	50	0.36	--	--	--
SCLC4N - 10W	50	0.50	SCLC6-10W	50	0.75	--	--	--
--	--	--	--	--	--	--	--	--
--	--	--	--	--	--	--	--	--
Label KN 5.5	100 strips	0.08	Label KN 8	100 strips	0.12	Label KN 10	100 strips	0.15
--	--	--	--	--	--	--	--	--
SCKNMLH	50	0.55	SCKNMLH	50	0.55	SCKNMLH	50	0.55
SCUNMLH	50	0.60	SCUNMLH	50	0.60	SCUNMLH	50	0.60
KUT 4N(G), KUT 4N(K)			KUT 6N(G), KUT 6N(K)			KUT 10N(G), KUT 10N(K)		
KUT 4N(R), KUT 4N(Y), KUT 4N(B)			KUT 6N(R), KUT 6N(Y), KUT 6N(B)			KUT 10N(R), KUT 10N(Y), KUT 10N(B)		
KUT 4N(BL), KUT 4N(GR)			KUT 6N(BL), KUT 6N(GR)			KUT 10N(BL), KUT 10N(GR)		
CHS 3/5/10	100/100/50	22/37/36	CHS 3/5/10	100/100/50	22/37/36	CHS 3/5/10	100/100/50	22/37/36
CHK 3/5/10	100/100/100	11/19/36	CHK 3/5/10	100/100/100	11/19/36	CHK 3/5/10	100/100/100	11/19/36
CHKS 3/5/10	100/100/100	11/17/34	CHKS 3/5/10	100/100/100	11/17/34	CHKS 3/5/10	100/100/100	11/17/34
CHKDS 10	50	34.50	CHKDS 10	50	34.50	CHKDS 10	50	34.50