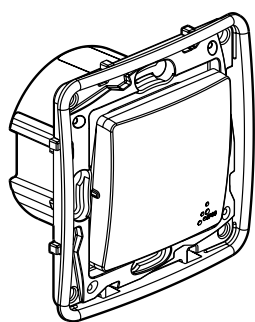
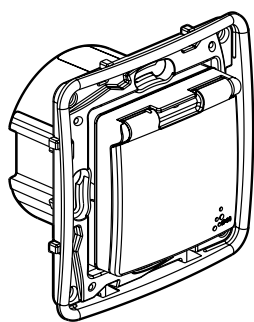
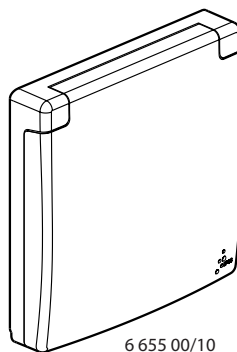


Niloé™
IP44 sealed range
Cat. No(s): 6 645 49 - 6 647 21/25/48/49/95
6 648 21/25/48/49/95 - 6 650 00/10/96/99


6 647 21/25



6 647 48



6 655 00/10

CONTENTS

Page

1. Use	1
2. Range	1
3. Overall dimensions.	2
4. Connection.	2
5. Technical characteristics	2
6. Maintenance.	3
7. Accessories	3
8. Standards and approvals	3

1. USE

IP 44 sealed wiring accessory range.

The mechanisms are supplied with cover plates, supports, an airtight sleeve and a site protective cover.

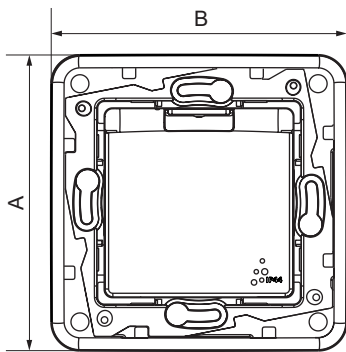
To be fitted with single module or multi-module plates, colour: white or ivory.

Mounted on standard plates.

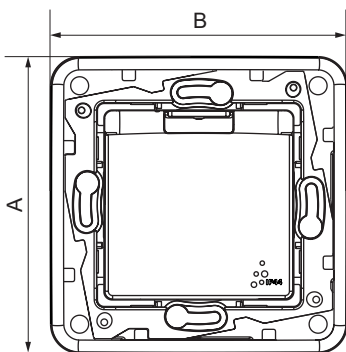
2. RANGE

	Designation	Colour		Fonction
		White RAL 903	Ivory RAL 113	
	IP 44 - 10 AX two-way switch Airtight	6 647 21	6 648 21	Connected via automatic terminals Becomes illuminated with lamps Cat. No. 6 650 90 or 6 650 92. Monitor with bulb Cat. No. 665 091.
	IP 44 - 6 A pushbutton Airtight	6 647 25	6 648 25	NO-NC pushbutton Connected via automatic terminals Becomes illuminated with lamps Cat. No. 6 650 90 or 6 650 92.
	2 P + E - 16 A socket French standard - IP 44 Airtight	6 647 48	6 648 48	
	IP 44 cable outlet Airtight	6 647 49	6 648 49	Cable outlet are equipped with cable grips. Maximum diameter of the cable: 12 mm.
		6 645 49	-	Cable outlet are equipped with cable grips. Maximum diameter of the cable: 12 mm. With claws
	IP 44 and IK 07 single module plate	6 650 00	6 650 10	All the functions can be mounted (shallow external depth), except for sockets with flat cover (eg: Cat. No. 6 647 48). Excluding radio/ZigBee switches Cat. Nos. 6 651 01/02 and radio/ZigBee roller blind control Cat. No. 6 651 11.
	Airtight sleeve	6 650 96		Suitable for all standard mechanisms (except for the cable outlet)
	IP 21 cable outlet	6 647 95	6 648 95	Cable outlet are equipped with cable grips. Maximum diameter of the cable: 12 mm.

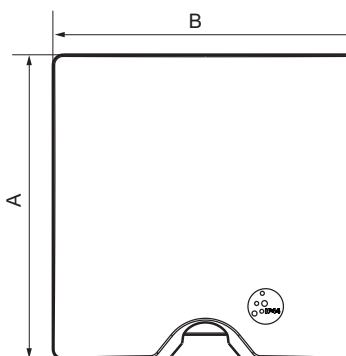
3. OVERALL DIMENSIONS (mm)



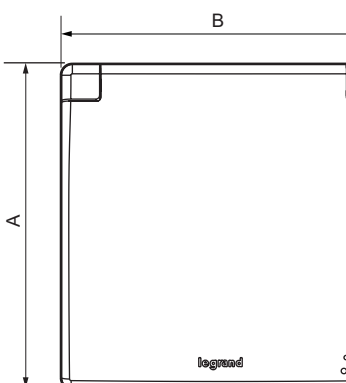
6 647 21/25



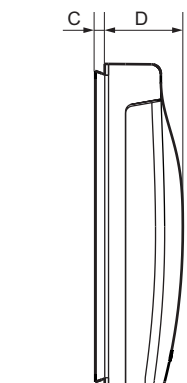
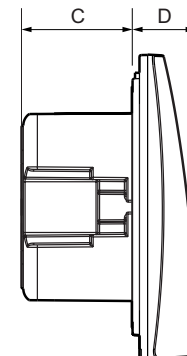
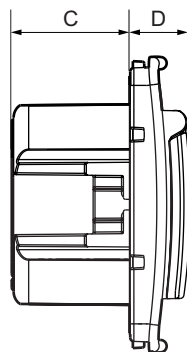
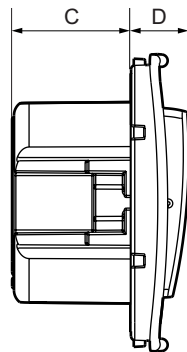
6 647 48



6 647 49



6 650 00/10



3. OVERALL DIMENSIONS (mm) (continued)

Cat. No.	A	B	C	D
6 647 21/25	78.2	78.2	31.3	15.2
6 647 48	78.2	78.2	31.3	15.8
6 647 49	86	86	31.3	17.8
6 650 00/10	86	86	1	22.15

4. CONNECTION

The control functions have automatic terminals.
The automatic terminal release keys are grey (RAL 735).
Cable: 1.5 mm² for two-way switch and pushbutton
2.5 mm² for 2P+E power socket
Stripping length: 13 mm
Compatible flexible or rigid cables.

5. TECHNICAL CHARACTERISTICS

■ 5.1 Mechanical characteristics

IP 44
IK 04
IK 07 for Cat. Nos. 6 650 00/10

■ 5.2 Material characteristics

Poly gloss appearance
Colour: Pure (RAL 903) and Linen (RAL 113)
Material: - Plate ABS
- Rocker plate: ABS
- Halogen-free

Self-extinguishing: + 850°C/30 s for insulating parts holding live parts in place
+ 650°C/30 s for other parts made of insulating materials

UV resistant.

■ 5.3 Electrical characteristics

Voltage: 250 VAC
Current: - 10 AX for switch and two-way switch
- 6 A for NO-NC pushbutton
- 16 A for socket outlet

■ 5.4 Climatic characteristics

Storage and use temperature: - 5°C to + 35°C

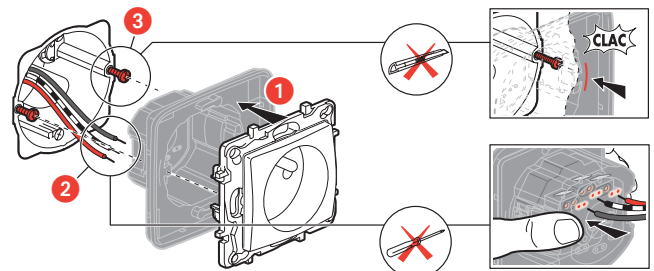
■ 5.5 Features of the support

Material: Grey (RAL 737) halogen-free polycarbonate.
High impact resistance and torsional strength due to the thickness of the support.

■ 5.6 Features of the sleeve

Cat. No.: 6 650 96

Material: SEBS
Suitable for all standard mechanisms (except for the cable outlet).



6. MAINTENANCE

Easy-clean (due to poly gloss surface).

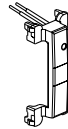
7. ACCESSORIES

Monitor and indicator lights

Connection by direct mounting

LED lamp

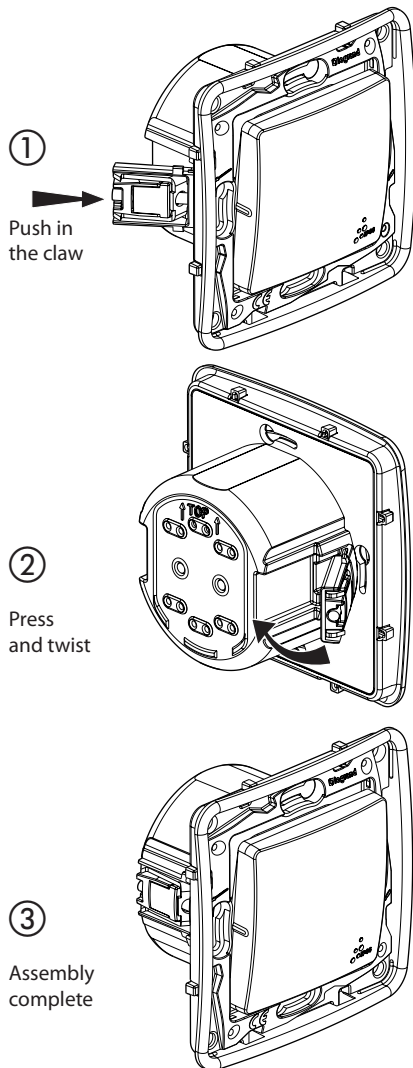
- **6 650 90**
230 V indicator light
Consumption 0.15 mA
- **6 650 91**
230 V monitor light
Consumption 3 mA
- **6 650 92**
12 V - 24 V - 48 V indicator light



Claw 6 650 99

"Rapido" claw

For fixing devices in refurbishment projects



8. STANDARDS AND APPROVALS

Compliance with standards of installation and manufacturing.
See e.catalogue