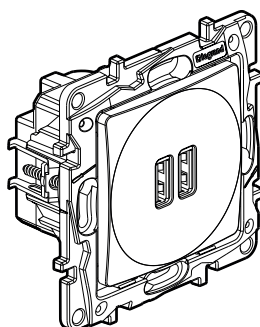


Niloé™ USB universal charger - 2400 mA

Cat. No(s): 7 645 94 - 7 646 94



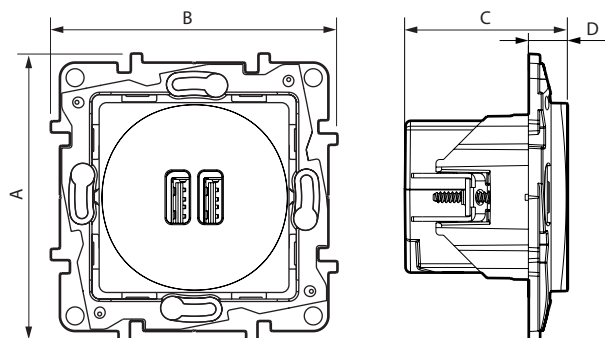
1. USE

For recharging portable devices such as phones, smartphones, tablets, PC, MP3 or MP4 players, loudspeakers, watches, game consoles, powerbanks.

2. RANGE

Description	White	Ivory
Double USB socket - 5 V - 2400 mA Supplied with support frame and cover plate To be equipped with plate	7 645 94	7 646 94

3. DIMENSIONS (mm)



A	B	C	D
76	76	42	9.5

4. CONNECTION

Type of terminals: with screws
Terminal capacity: 2 x 2.5 mm²
Stripping length: 6 mm
Screwdriver: flat 3.5 mm

Recommended use: circuit terminal outlet

5. TECHNICAL CHARACTERISTICS

■ 5.1 Mechanical characteristics

Impact tests: IK 04
Penetration by solid bodies/liquid: IP 40

■ 5.2 Material characteristics

Polyglass appearance
Colour : - White RAL 9003
- Ivory RAL 1013
Material: - Cover: PC
- Cover plate: ABS
- Halogen free
- UV resistant

Material of the support : - PC grey RAL 7037 + 10% glass fiber
- Halogen free

Self-extinguishing:
+ 850° C / 30 s for insulating parts holding live parts in place.
+ 650° C / 30 s for other parts made of insulating materials.

■ 5.3 Climatic characteristics

Storage temperature: - 20° C to + 70° C
Operating temperature: -5° C to + 45° C

■ 5.4 Electrical characteristics

All values listed below are measured at an ambient temperature of + 25° and after 15 minutes of operation.

Nominal input voltage	220 - 240 V~
Nominal input frequency	50-60 Hz
Maximum input current	300 mA
Maximum power consumption in standby	0.1 W
Power average efficiency	81 %
Nominal output voltage	5 V~
Maximum output current	2400 mA
No-load power consumption class and average efficiency level: level VI*	
Safety-standard	EN60950-1
Protection class	II - Low voltage

*NB: European Regulation No. 278/2009 of 6 April 2009, Directive 2005/32/EC on eco-design requirements for AC/DC power supplies.

■ 5.5 Average charging time for devices equipped with lithium ion polymer batteries:

- 80 % charged < 1 h 15
- 100 % charged < 2 h 00

5. TECHNICAL CHARACTERISTICS *(continued)*

■ 5.6 Charge time for a smartphone with 2400 mA charger plug:

Manufacturer brand	Smartphone model	Charge time to 100 %
Samsung	Galaxy S6	1 h 43
Nokia	Lumia 735	2 h 11
Nokia	Lumia 930	2 h 11
Google	Nexus 6	3 h 02
Google	Nexus 7	2 h 58

*Data valid as at 1 March 2016.

Note: To optimize the charging time of your device, ensure turn it off during the charging phase.

6. CLEANING

Surface cleaning with a cloth.

Do not use: acetone, tar remover, trichlorethylene.

Caution: A preliminary test should be carried out if specific cleaning products are to be used.

7. STANDARDS AND APPROVALS

IEC 60950-1: low voltage directive.

IEC 62684 / EN 50558 conform to the interoperability specifications of common external power supply (EPS) for use with mobile telephones.

Conform to eco design directive 2009/125/EC.